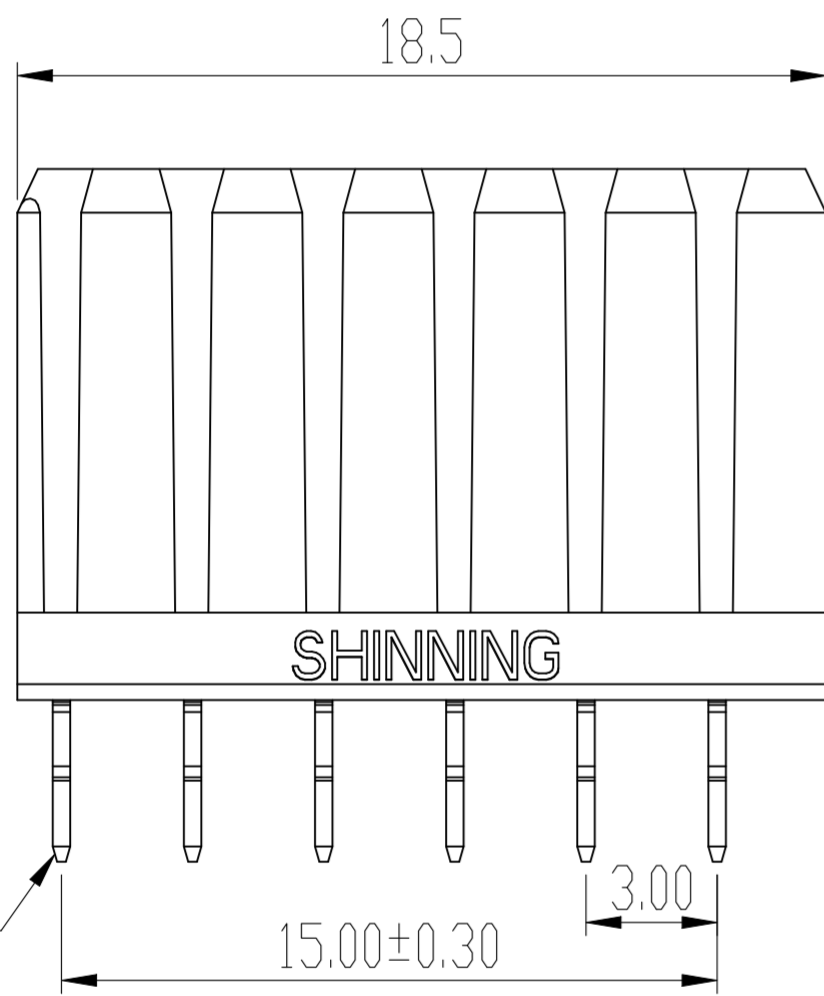
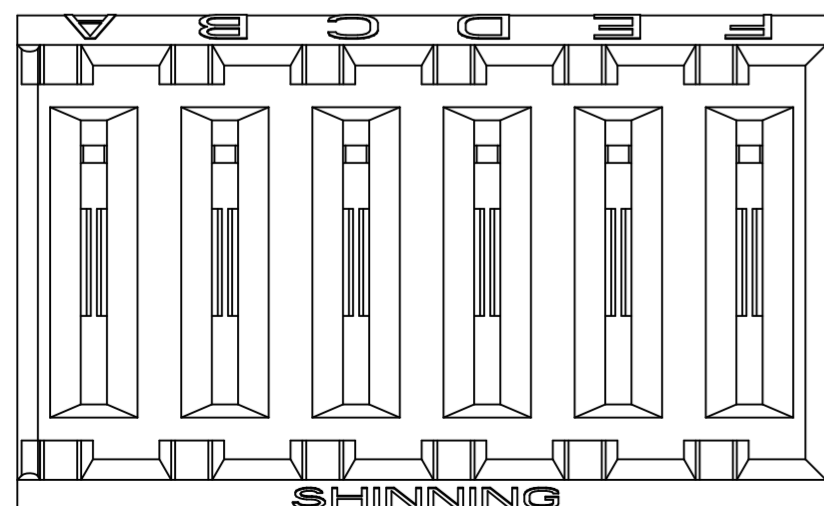
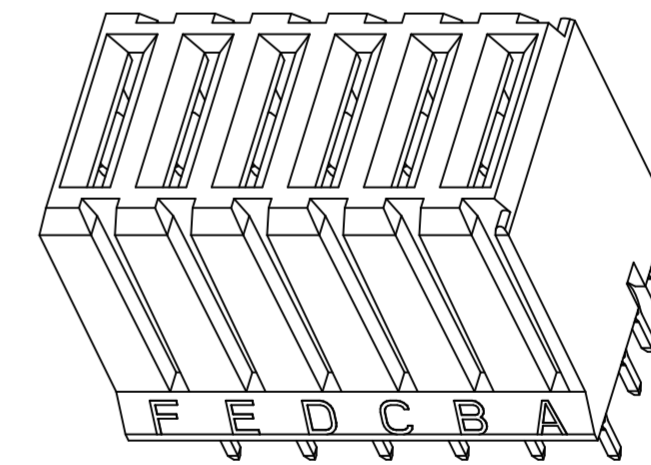
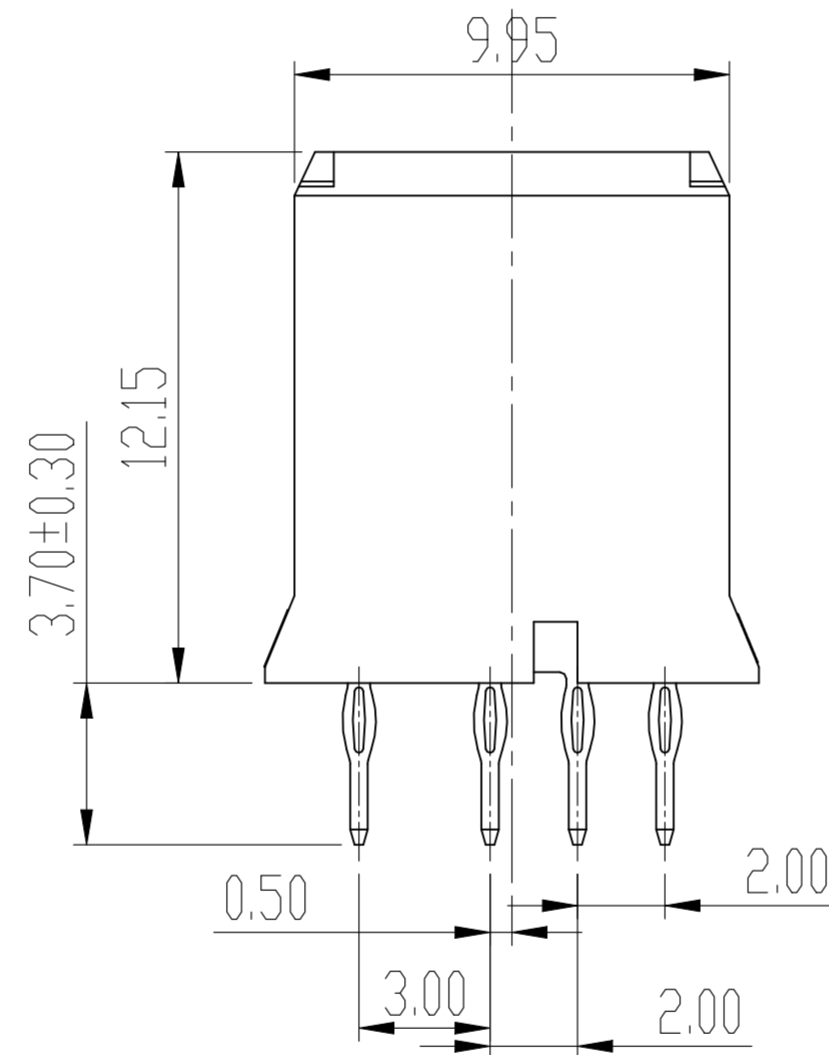


RECOMMENDED PCB LAYOUT (± 0.05)



Position A



Unless otherwise specified tolerance:

X.	± 0.50	X.°	$\pm 3^\circ$
.X	± 0.38	.X°	$\pm 2^\circ$
.XX	± 0.25		

Performance characteristics:

1. Main body part material
Insulator: PBT, Gray, UL94V-0
Contact terminal: phosphor bronze, 1.27 μm Ni under plated, contact area plating Au 0.76 μm , Tail plating Sn.
2. Electrical requirements:
Current rating: 10.0 A
Contact resistance: $\leq 5 \text{ m}\Omega$
Insulation resistance: $\geq 10000 \text{ M}\Omega$
Withstanding voltage: 1000 Vr.m.s, 1mA, 60s
3. Mechanical requirements
Mechanical life: 250 cycles Min according to IEC 60512
4. Environment specification
Working temperature: $-55^\circ\text{C} \sim +125^\circ\text{C}$
5. Applicable standard: IEC 61076-4-101
6. Packing & storing
Method of packing: tray, inner box, outer box
Storing condition: temperature of $-10^\circ\text{C} \sim +40^\circ\text{C}$
below 80% relative humidity
7. Style of installation: press-fit pcb Installation
8. To prevent the pollution of the environment product info
RoHS agreement: In line with the european union RoHS.

					3.0 pitch power module 6PIN female connector		SLO. 1311. 004			
Mark	NO.	File NO.	Signature	Date			Projection	Rev.	Weight	Scale
DRAW			TANG JIANPING	2023. 11. 05				A0		
CHK							All Dimensions in mm			
MAN							Sheet 1 of 1			
STD					1311-060-28-A		SHENZHEN SHINNING ELECTRONIC CO.,LTD.			
APP										