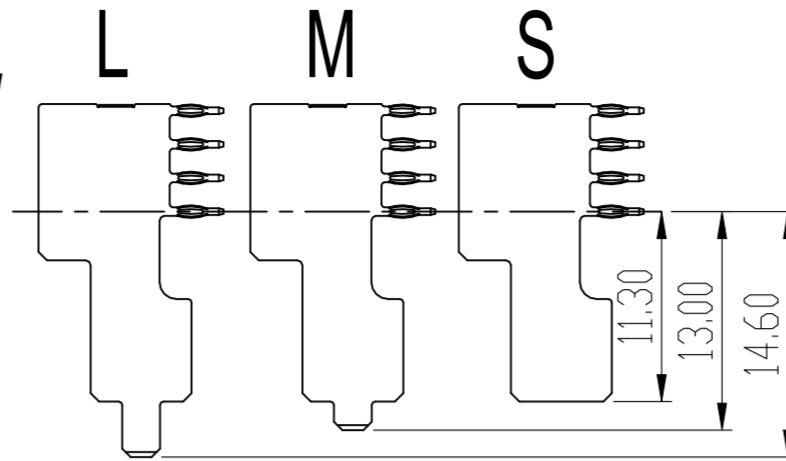


### Contact OVERVIEW

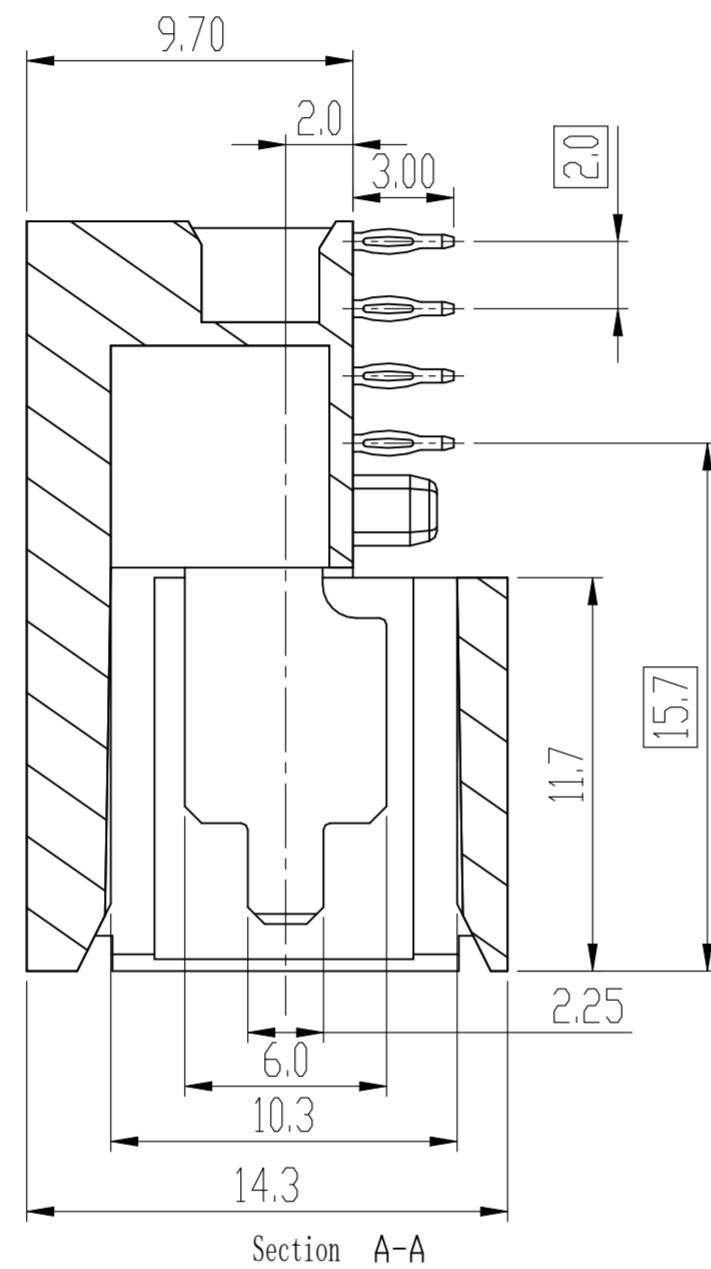
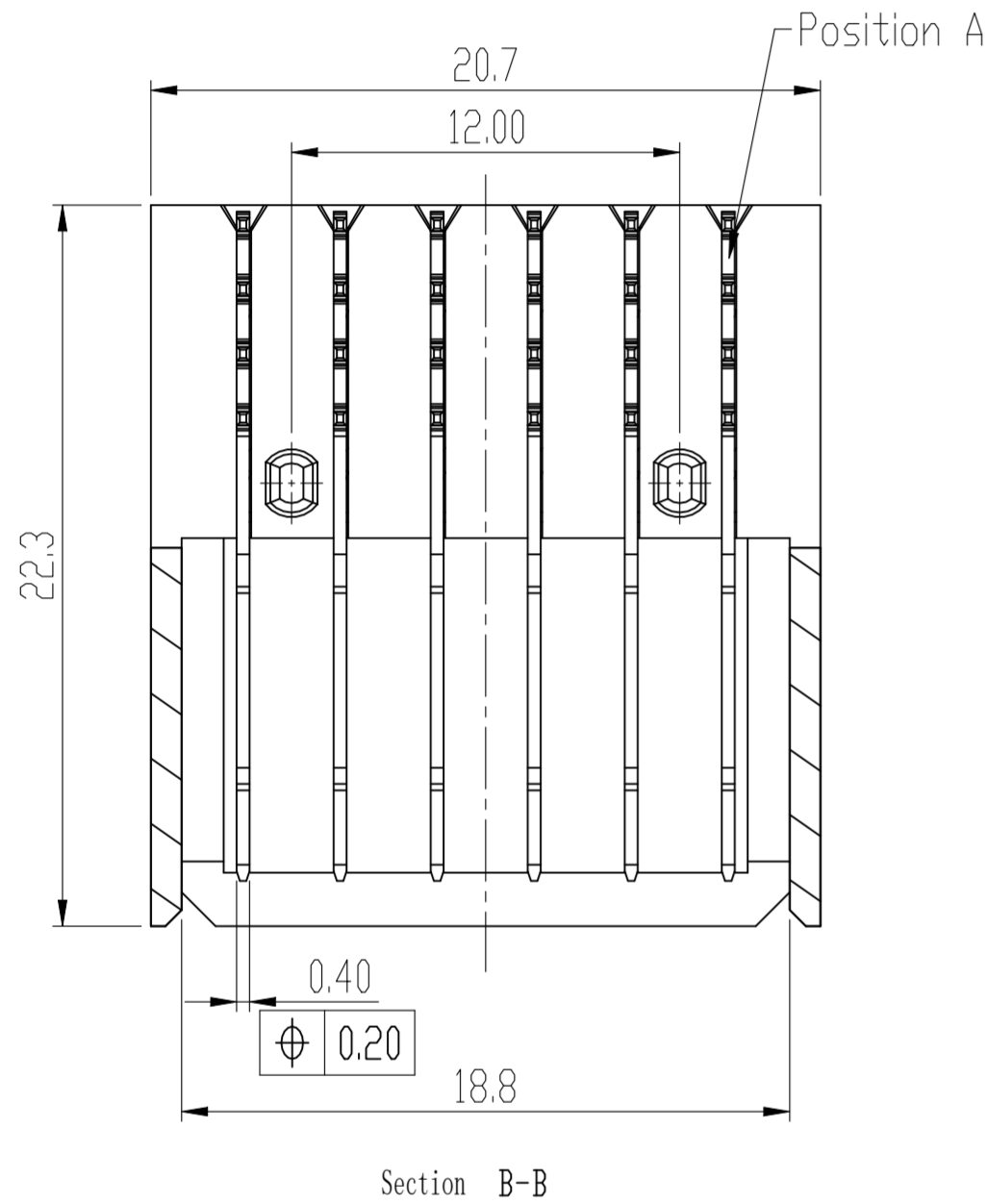
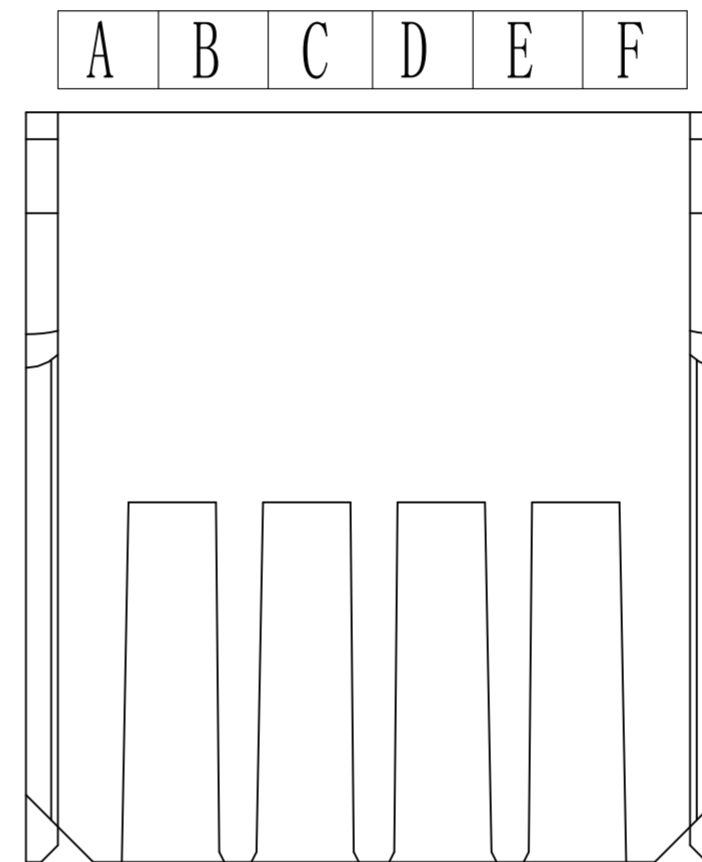
L=Long  
M=Middle  
S=Short



### Performance characteristics:

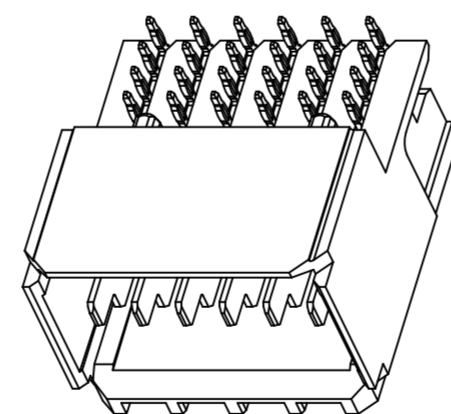
1. Main body part material  
Insulator: PBT, Gray, UL94V-0  
Contact terminal: phosphor bronze, 1.27 μm Ni under plated, contact area plating Au 0.76 μm, Tail plating Sn.
2. Electrical requirements:  
Current rating: 10.0 A  
Contact resistance: ≤5 mΩ  
Insulation resistance: ≥10000 MΩ  
Withstanding voltage: 1000 Vr.m.s, 1mA, 60s
3. Mechanical requirements  
Mechanical life: 250 cycles Min according to IEC 60512
4. Environment specification  
Working temperature: -55°C~+125°C
5. Applicable standard: IEC 61076-4-101
6. Packing & storing  
Method of packing: tray, inner box, outer box  
Storing condition: temperature of -10°C~+40°C below 80% relative humidity
7. Style of installation: press-fit pcb Installation
8. To prevent the pollution of the environment product info  
RoHS agreement: In line with the european union RoHS.

### Contact layout



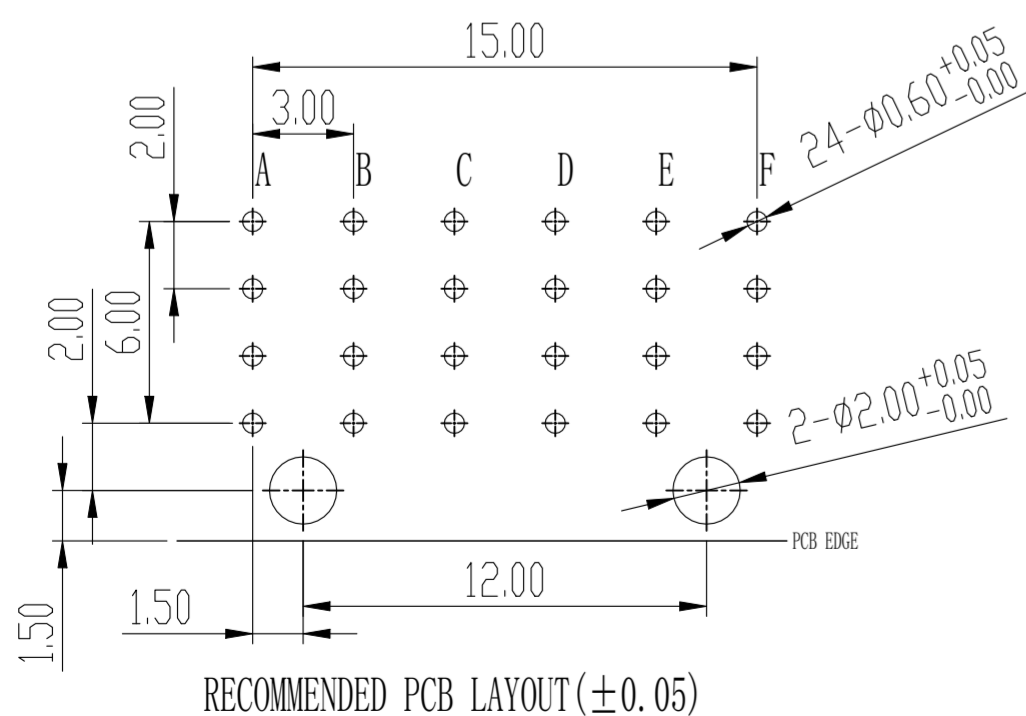
1311- 06 X - 1 X - X

Series code	Terminal number	Contact layout code	Plating code	Insulator material & color
		Code	Code	Code
		Definition	Definition	Definition
		A B C D E F	Contact area Tail	A PBT Gray UL94V-0
		4 LLLLLL	E PdNi0.76μm+Gold Flash Sn	
		5 MMMMMM	8 Au 0.76μm Sn	



Unless otherwise specified tolerance:

X.	±0.50	X.°	±3°
.X	±0.38	.X°	±2°
.XX	±0.25		



3.0 pitch power module 6PIN male connector				SLO. 1311. 003				
Mark	NO.	File NO.	Signature	Date	Projection	Rev.	Weight	Scale
DRAW		TANG JIANPING		2023. 11. 05		A0		
CHK					All Dimensions in mm			Sheet 1 of 1
MAN					SHINNING SHENZHEN SHINNING ELECTRONIC CO.,LTD.			
STD								
APP								
				1311-06X-1X-X				